



PROJECT _____

TYPE _____

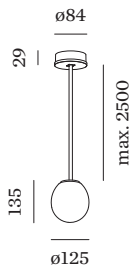
NOTES _____

QUANTITY _____

DATE _____



Ceiling suspended luminaire; italian hand blown white opal glass; mounting made from aluminium in Black Matt; powder coated; matt texture; inclusive adjustable cable suspension max. 2500mm; lamp socket G9; lamp type QT14; max. 5W; 220 - 240 V; degree of protection IP20; Class 1; lamp not included;



General

- Ceiling
- Suspended
- Black Matt + White Opal Glass
- No matching RAL
- IP20
- Interior
- 260 lm

LED

- lamp QT14
- socket G9
- max. per socket 5.0 W
- 3000 K
- CRI ≥ 80
- ≤ 6 SDCM (initial MacAdam)

Optical

- Opal
- CIE flux code: 26 51 76 60 87

Electrical

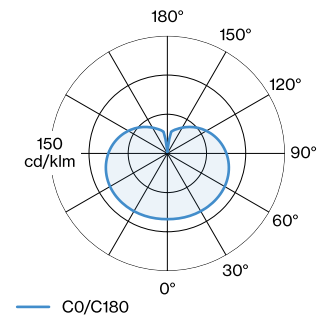
- 220 - 240 V
- inset 3.0 W ^a
- Class I
- Standard

Physical

- diameter 125 mm
- height 135 mm
- 0.5 kg
- cable length 2500 mm

^a Without electrical and optical losses

LIGHT DISTRIBUTION





LAMPS

QT14 LED Lamp

Type	Colour	Voltage	Ø·H (MM)	Item number
2700K G9			19-49	9010G803
3000K G9			19-49	9010G805