



**WEVER & DUCRÉ**  
LIGHTING

# RAY

## WALL mini 2.0

301220B0

Project

Type

Notes

Quantity

Date

### GENERAL

Wall  
Surface  
Jet Black  
IP20  
Interior  
Indirect 440<sup>a</sup> to 445<sup>b</sup> lm  
Direct 440<sup>a</sup> to 445<sup>b</sup> lm  
Total 880<sup>a</sup> to 890<sup>b</sup> lm  
RAL 9005<sup>c</sup>

### LED

Lamp 2 x PARI6  
PARI6  
Socket GU10  
max. 12 W  
L70 / 50000 h

### OPTICAL

Wide Flood  
Beam angle 360°  
UGR < 13  
65° < 3000 cd/m<sup>2</sup>

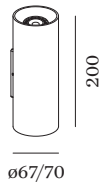
### PHYSICAL

Diameter 67 mm  
Height 200 mm  
0.36 kg

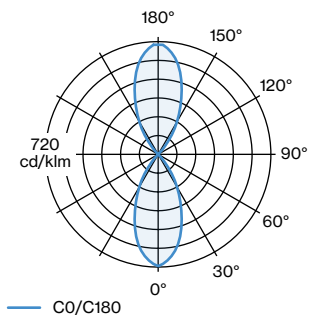
### ELECTRICAL

100 - 240 V  
Total connected power 15<sup>b</sup> to 16<sup>a</sup> W  
PCI  
Safety distance 0.3 m

<sup>a</sup> LED 3000K CRI 80 white  
<sup>b</sup> LED 2700K CRI 80 white  
<sup>c</sup> RAL Palette colors may deviate slightly due to production conditions.



### LIGHT DISTRIBUTION



[301220B0] The technical data represent rated values for an ambient temperature of 25°C. The data values for the luminous flux are initially subject to a tolerance of +/- 10%, those for the electrical connected load are initially subject to a tolerance of +/- 10%, and those for the colour temperature are initially subject to a tolerance of +/- 150 K. No liability is assumed for typographical or printing errors. The general terms and conditions of Wever & Ducré BVBA apply.  
© Wever & Ducré BVBA · Spinnerijstraat 99/21 · 8500 Kortrijk · Belgium · www.weverducre.com



WEVER & DUCRÉ  
LIGHTING

# RAY

## WALL mini 2.0

301220B0

### LED LAMPS

#### PAR16 LED Lamp

TYPE	COLOUR	Ø·H (MM)	ORDERCODE
2700K   >90 CRI   GU10	Jet Black	∅50·58	9 0 1 2 2 8 B 3
3000K   >90 CRI   GU10	Jet Black	∅50·58	9 0 1 2 2 8 B 5
2700K   >80 CRI   GU10	Signal White	∅50·58	9 0 1 2 2 8 W 2
2700K   >90 CRI   GU10	Signal White	∅50·58	9 0 1 2 2 8 W 3
3000K   >80 CRI   GU10	Signal White	∅50·58	9 0 1 2 2 8 W 4
2700K   >80 CRI   GU10	Silver/Grey	∅51·55	9 0 5 2 2 7 S 2
3000K   >80 CRI   GU10	Silver/Grey	∅51·55	9 0 5 2 2 7 S 4