



PROJECT

TYPE

NOTES

QUANTITY

DATE



Round ceiling recessed downlight made from die-cast aluminium; surface Black Matt; powder coated, matt texture; RAL 9011; installation without tools using wire springs; suitable for ceiling thickness of 4-23 mm; recessed depth 60 mm; beam angle 31°; with COB (Chip on Board) technology for maximum efficiency; light colour 2700 K; ≤ 2 SDCM (initial MacAdam); CRI ≥ 90 ; degree of protection IP20; Class 3; IC rated; UGR ≤ 16 ; VDU compatible workplace luminaire according to DIN EN 12464-1; luminance above 65° ≤ 1500 cd/m²; driver not included; fits into Kaiser ThermoX® 9320-11; light source replaceable by Wever & Ducré or by a professional with explicit authorization;

LUMINAIRE

Ceiling _____
 Recessed _____
 Black Matt _____
 RAL 9011 ^a _____
 IP20 _____
 IC rated _____
 Interior _____
 565 lm / 350mA _____

LED Module

2700 K _____
 CRI ≥ 90 _____
 L80 / 50000 h _____
 ≤ 2 SDCM (initial MacAdam) _____
 730 lm / 350mA _____
 123 lm/W ^b _____
 5.9 W ^b _____

Optical

Medium (standard) _____
 beam angle 31° _____
 CIE flux code: 98 100 100 100 _____
 100 _____

Electrical

excl. driver _____
 17 V _____
 Class III _____
 Standard _____

Physical

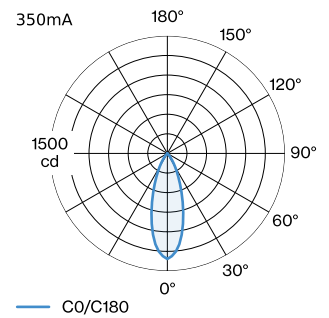
diameter 80 mm _____
 height 45 mm _____
 0.04 kg _____
 wire springs _____

Cutout

diameter 68-70 mm _____
 min. ceiling thickness 4 mm _____
 max. ceiling thickness 23 mm _____
 recessed depth 60 mm _____

^a Colour may deviate slightly due to production conditions
^b Without electrical and optical losses

LIGHT DISTRIBUTION





CONE DIAGRAM

medium (standard) 380mA

h (m)	E0° (lx)	ø (m)
1	1350	0.61
2	340	1.23
3	150	1.84
4	80	2.46
5	50	3.07

Maintenance Factor

Operating Time [h]	10.000	20.000	30.000	40.000	50.000
LLMF	0.96	0.92	0.88	0.85	0.81
LSF	1	1	1	1	1

MF	$LMF \times RSMF \times LLMF \times LSF$	RSMF ^a	Room Surface Maintenance Factor
MF	Maintenance Factor	LLMF	Lamp Lumens Maintenance Factor
LMF ^a	Luminaire Maintenance Factor	LSF	Lamp Survival Factor

^aAccording to "CIE 97, Maintenance of indoor electric lighting systems", 2005, ISBN 3-900-734-34-8. The values must be determined by the planner.

ELECTRICAL ACCESSORIES

Driver

Type	Colour	Voltage	L·W·H (MM)	Item number
6W 350mA 8.6-18V		8.6-18V	67·39·22	90213303
10W 350mA 13-26V phase-cut dim		13-26V	115·41·25	90223406
14W 350mA 10-40V DALI-2 push dim		10-40V	166·29·21	90243502